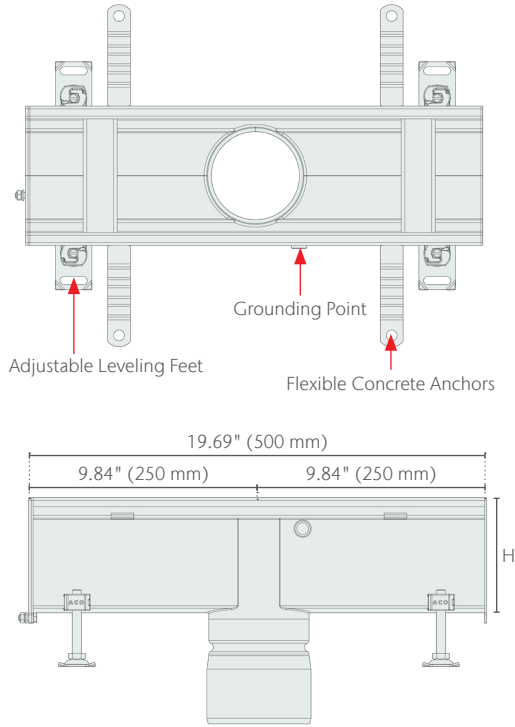


ACO Building Drainage | Stainless

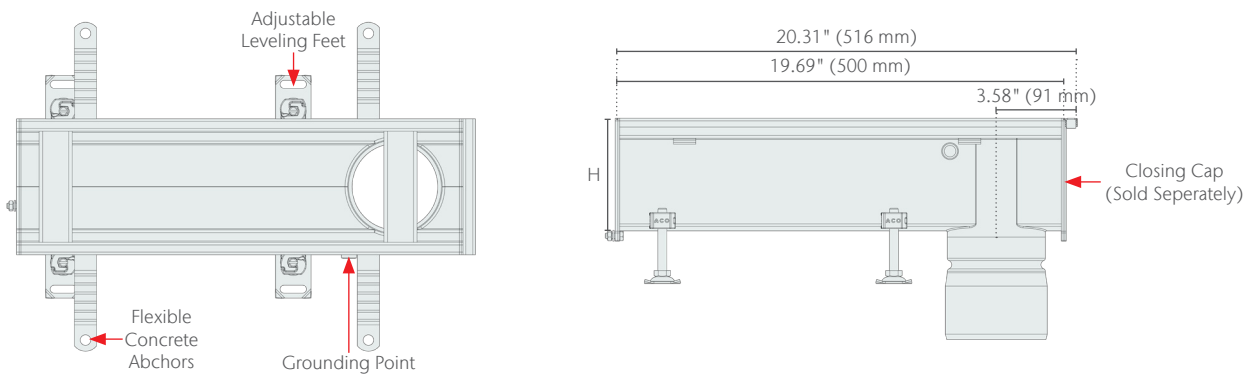
4" Outlet Channels - MOD125



Center Outlet Channels



End Outlet Channels



4" Outlet Channels - MOD125



| Parts | Part No. | Material | Height (H) in (mm) | Length in (mm) | Weight lbs | |
|------------------------|---------------------|---------------|--------------------|----------------|-------------|-----|
| Center Outlet Channels | 445405 | AISI 304 | 3.15 (80) | 19.69 (500) | 8.1 | |
| | 445406 | AISI 304 | 3.74 (95) | 19.69 (500) | 8.6 | |
| | 445407 | AISI 304 | 4.33 (110) | 19.69 (500) | 9.0 | |
| | 445408 | AISI 304 | 4.92 (125) | 19.69 (500) | 9.5 | |
| | 445413 | AISI 316L | 3.15 (80) | 19.69 (500) | 8.1 | |
| | 445414 | AISI 316L | 3.74 (95) | 19.69 (500) | 8.6 | |
| | 445415 | AISI 316L | 4.33 (110) | 19.69 (500) | 9.0 | |
| | 445416 | AISI 316L | 4.92 (125) | 19.69 (500) | 9.5 | |
| | End Outlet Channels | 445401 | AISI 304 | 3.15 (80) | 19.69 (500) | 8.1 |
| | | 445402 | AISI 304 | 3.74 (95) | 19.69 (500) | 8.6 |
| | | 445403 | AISI 304 | 4.33 (110) | 19.69 (500) | 9.0 |
| | | 445404 | AISI 304 | 4.92 (125) | 19.69 (500) | 9.5 |
| 455409 | | AISI 316L | 3.15 (80) | 19.69 (500) | 8.1 | |
| 445410 | | AISI 316L | 3.74 (95) | 19.69 (500) | 8.6 | |
| 445411 | | AISI 316L | 4.33 (110) | 19.69 (500) | 9.0 | |
| 445412 | | AISI 316L | 4.92 (125) | 19.69 (500) | 9.5 | |

Specification Summary

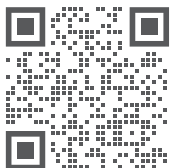
ACO Modular 125 outlet channels, 4" outlet. Overall height varies, see tables. Made from 16ga (1.5 mm) AISI 304 or AISI 316L, pickle passivated finish. All channels provided with NBR seal and connection bolts on one side. Multiple grate options available.

ACO recommends checking local plumbing codes prior to installation

ACO, Inc.

© January 2026 ACO, Inc.

All reasonable care has been taken in compiling the information in this document. All recommendations and suggestions on the use of ACO products are made without guarantee since the conditions of use are beyond the control of the company. It is the customer's responsibility to ensure that each product is fit for its intended purpose and that the actual conditions of use are suitable. ACO, Inc. reserves the right to change products and specifications without notice.



info@acousa.com
www.acousa.com

